

| REVISIONS |                            |          |          |
|-----------|----------------------------|----------|----------|
| REV       | DESCRIPTION                | DATE     | APPROVED |
| A         | INITIAL RELEASE (ESR 0353) | 01-29-96 | JWM      |
| B         | SEE ECN 90384              | 09-18-96 | JWM      |

**NOTES:**

**1. MATERIAL:**

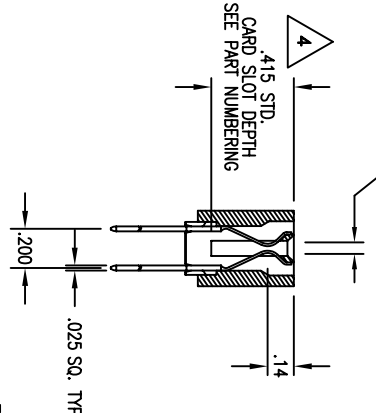
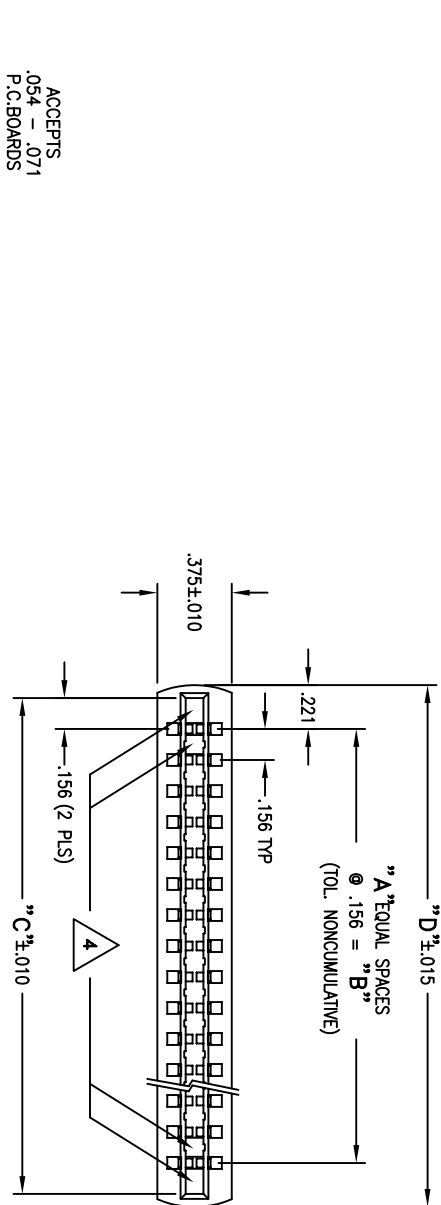
INSULATOR MATERIAL - GLASS FILLED THERMO-PLASTIC  
 POLYESTER, 94V-0 RATED, BLACK.  
 CONTACT MATERIAL - CDA 510.  
 CONTACT PLATING - .000030 Au OVER .000050 Ni ON  
 CONTACT POINT, TAIL .000100 MATTE FINISH 60/40 SnPb.

**2. ELECTRICAL CHARACTERISTICS:**

CONTACT RESISTANCE:  
 CONTACT TO DAUGHTER CARD - 10 MILLIOHMS.  
 DIELECTRIC WITHSTANDING VOLTAGE - 1800 VAC.  
 INSULATION RESISTANCE - 5000 MEGOHMS.  
 CONTACT CURRENT RATING - 3 AMPS AT 30°C.

**3. MECHANICAL CHARACTERISTICS:**

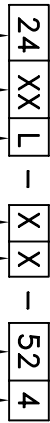
OPERATING TEMPERATURE - -55° TO +125°C.  
 DURABILITY - PER BELLCORE TR-NWT-000078.  
 .300 AND .350 CARD SLOT DEPTH CONTROLLED  
 BY THESE SURFACES ONLY.



**DIMENSIONS**

|   |   |
|---|---|
| A | NUMBER OF EQUAL SPACES<br>(TO DETERMINE, SUBTRACT 1 FROM THE NUMBER<br>OF DESIRED DUAL CONTACT POSITIONS) |
| B | NUMBER OF EQUAL SPACES X .156   |
| C | NUMBER OF EQUAL SPACES X .156 + .312  |
| D | NUMBER OF EQUAL SPACES X .156 + .442  |
| E | TAIL LENGTH: SEE PART NUMBERING   |

**PART NUMBERING**



SERIES CODE  
 NUMBER OF DUAL POSITIONS  
 BODY STYLE  
 L - WITHOUT CARD SCOPPERS  
 CARD SLOT DEPTH (SEE NOTE 4)  
 1 - .415  
 2 - .350  
 3 - .300

MOUNTING STYLE:  
 4 - NO EARS  
 PLATING CODE (SEE NOTES)  
 TAIL LENGTH (E DIMENSION)  
 0 - .125  
 1 - .190  
 2 - .375  
 3 - .465  
 4 - .570  
 5 - .650/.710

| APPROVED     |       |
|--------------|-------|
| NAME         | DATE  |
| DESIGNED JWM | 01-96 |
| CHECKED YL   | 01-96 |
| QUALITY WBK  | 01-96 |
| APPROVED JWM | 01-96 |

THE INFORMATION, DATA AND/OR SERVICES CONTAINED ON THIS DRAWING ARE PROPRIETARY TO A.W. INDUSTRIES AND MAY NOT BE COPIED, REPRODUCED OR DISCLOSED IN ANY MANNER WITHOUT THE WRITTEN PERMISSION OF A.W. INDUSTRIES.

ALL DIMENSIONS ARE IN INCHES.  
 TOLERANCES:  
 DECIMAL .XX ±.015  
 .XXX ±.005  
 ANGLE ±1/2°

THE NON-COMPLIANT SOLDER TYPE PIN CARD EDGE CONNECTOR .156 X .200 CENTERS

**A.W. Industries, Incorporated**  
 6788 N.W. 17th AVENUE  
 Fort Lauderdale, FL 33309

DATE FILE NO. 03-0305-0B  
 SCALE NONE  
 SIZE C  
 SHEET 1 OF 1

**CUSTOMER DRAWING**

